



# Professional Windsurfers Association 2006 Rule Book

## **PART 3 - WAVE PERFORMANCE RULES**



**I S A F**  
Affiliated



## Part 3: WAVE PERFORMANCE RULES

- {3.1} DEFINITIONS**
- {3.2} CONDITIONS**
- {3.3} EVENT OFFICERS**
- {3.4} ENTRY ALLOCATION**
- {3.5} SEEDING AND ELIMINATION PROCEDURE**
- {3.6} SAILING THE COURSE**
- {3.7} SIGNALS FOR STARTING AND FINISHING A HEAT**
- {3.8} POSTPONING AND ABANDONING A HEAT**
- {3.9} RIGHT OF WAY RULES**
- {3.10} JUDGING**
- {3.11} PROTESTS, PENALTIES AND REDRESS**
- {3.12} SCORING**

### **{3.1} DEFINITIONS**

#### **{3.1.1} Competing**

A board is competing from its starting signal until the finishing signal or until the heat has been postponed or abandoned or until the competitor has finished his/her wave ride.

#### **{3.1.2} Wave Riding, Jumping, and Transition**

(a) A board which is coming in shall be scored in the wave riding category

(b) A board which is going out shall be scored in the jumping category, boards shall be scored in the overall impression category at all times. Jumps made while coming in and made without using the energy of a wave ride, shall be scored in the jumping category.

(c) A board in transition is one that is changing direction either tacking or gybing or performing a manoeuvre specifically designed to change tacks.

#### **{3.1.3} Capsize**

A sailboard shall rank as capsized when it is not under way due to the sail being in the water and/or the competitor is water starting or uphauling.

#### **{3.1.4} On a tack**

A board is on a tack except when it is capsized or in the process of transition. A board is on the tack (starboard or port) corresponding to its windward side.

#### **{3.1.5} Possession**

A board which is the first to sail shoreward immediately in front of the wave/swell is said to have possession of that wave. When it is impossible to determine possession based on the above, that board which is to windward shall have possession (in the event that two competitors gybe simultaneously).

#### **{3.1.6} Clear Astern/ Clear Ahead/Overlap**

A board is clear astern of another when its hull and rig are abaft an imaginary line projected abeam from the aftermost point of the other's hull and rig. The other board is clear ahead. The boards overlap when neither is clear astern.

#### **{3.1.7} Overtaking**

A board is overtaking from the moment it gains an overlap from clear astern until the moment it achieves a position clear ahead of the overtaken board.





2006 PWA Rule Book – Issue 1  
Part 3, Wave Performance Rules

**{3.1.8} Coming In/Going Out**

Sailing from the shore, a sailboard is going out when it is sailing in the opposite direction of the incoming surf. A sailboard sailing in the same direction as the incoming surf is coming in.

**{3.1.9} Mark**

A mark is any object specified in the Sailing Instructions which delimits the competition area.

**{3.1.10} Postponement**

A postponed heat is one which is not started at its scheduled time and which may be sailed at any time the Race Committee may decide.

**{3.1.11} Abandonment**

An abandoned heat is one which the Race Committee declares void at any time after the starting signal, and which may be re-sailed at its discretion.

**{3.1.12} Rule**

(a) The rules in this book including definitions, race signals, preambles, the rules of an appendix when it applies (but not titles);

(b) the prescriptions of the national authority concerned, when they apply;

(c) the Sailing Instructions and Notice of Race;

(d) the class rules except any that conflict with the rules in this book;

(e) any other document governing the event.

**{3.2} CONDITIONS**

The Wave Performance discipline must be held in surf

**{3.3} EVENT OFFICERS**

PWA Wave Performance Events shall use the following:

- i. a PWA approved Head Wave Judge
- ii. at least 8 PWA approved Judges
- iii. a PWA Representative
- iv. a PWA approved Scorer

Exceptions may only be made in advance by the PWA management board.





2006 PWA Rule Book – Issue 1  
Part 3, Wave Performance Rules

**{3.4} ENTRY ALLOCATION**

Entries into PWA Wave events shall be allocated according to the following table

CATEGORY	64 MAN	48 MAN	32 MAN
Previous years PWA Wave Ranking	1-24	1-18	1-12
Current PWA Wave Ranking	25-45	19-32	13-22
PWA Wildcard	46-56	33-42	23-29
Previous years IFCA Wave Ranking	57-58		
National Association Wildcard	59-60	43-44	30
Organizer Wildcard	61-64	45-48	31-32

**{3.5} SEEDING AND ELIMINATION PROCEDURE**

**{3.5.1} The Wave Performance Seeding List for an event shall be calculated as follows:**

(a) The competitor's final position on the PWA Wave Performance Ranking list from the previous year, which shall be regarded as one result; the two best results over the past 12 months; and the previous year's result at that specific event, which may count twice if it is one of the two best results (if this does not exist, the next best result from the previous 12 months). This will give four results, the highest of which is discarded. In all the above instances, the positions scored by the competitor shall be added together and the competitor with the lowest score shall be seeded first and so on. In the event of a tie, the PWA tie-break rules shall be applicable.

(b) If a top 40 ranked sailor is unable to compete at an event or events due to injury, the seeding of that sailor will be protected for a period of four months, after which time seedings will be allocated as described above.

**{3.5.2} Eliminations**

Elimination shall be single, dingle or double eliminations

**{3.5.3} The elimination procedure shall be:**

(a) Competitors' names shall be entered on the appropriate elimination ladder for the first elimination series according to the event Seeding List and the seeding distribution table below.

(b) "Byes," if any, shall be positioned so that they are allocated to the most highly ranked competitors.

(c) Competitors shall sail one against one in pairs, or in groups of up to 8 determined by the elimination ladder. The declared winner of each pair or the top half of the large groups shall advance on the elimination ladder. Once a round is started, the format shall stay the same until that round is completed. The format refers to either one on one or groups with the top half advancing.





2006 PWA Rule Book – Issue 1  
Part 3, Wave Performance Rules

**{3.5.3} Seeding / Heat Distribution**

64 Competitors Max		32 Competitors Max		48 Competitor Dingle	
Heat No.	Competitor Number	Heat No.	Competitor Number	Heat No.	Competitor Number
1a 1b	11 vs 54 22 vs 43	17a	6 vs 27	1	2 vs 32 vs 47
2a 2b	6 vs 59 27 vs 38	17b	11 vs 22	2	15 vs 17 vs 34
3a 3b	14 vs 51 19 vs 46	18a	3 vs 30	3	7 vs 25 vs 42
4a 4b	3 vs 62 30 vs 35	18b	14 vs 19	4	10 vs 24 vs 39
5a 5b	10 vs 55 23 vs 42	19a	7 vs 26	5	3 vs 29 vs 46
6a 6b	7 vs 58 26 vs 39	19b	10 vs 23	6	14 vs 20 vs 35
7a 7b	15 vs 50 18 vs 47	20a	2 vs 31	7	6 vs 28 vs 43
8a 8b	2 vs 63 31 vs 34	20b	15 vs 18	8	11 vs 21 vs 38
9a 9b	12 vs 53 21 vs 44	21a	5 vs 28	9	1 vs 31 vs 48
10a 10b	5 vs 60 28 vs 37	21b	12 vs 21	10	16 vs 18 vs 33
11a 11b	13 vs 52 20 vs 45	22a	4 vs 29	11	8 vs 26 vs 41
12a 12b	4 vs 61 29 vs 36	22b	13 vs 20	12	9 vs 23 vs 40
13a 13b	9 vs 56 24 vs 41	23a	8 vs 25	13	4 vs 30 vs 45
14a 14b	8 vs 57 25 vs 40	23b	9 vs 24	14	13 vs 19 vs 36
15a 15b	16 vs 49 17 vs 48	24a	1 vs 32	15	5 vs 27 vs 44
16a 16b	1 vs 64 32 vs 33	24b	16 vs 17	16	12 vs 22 vs 37

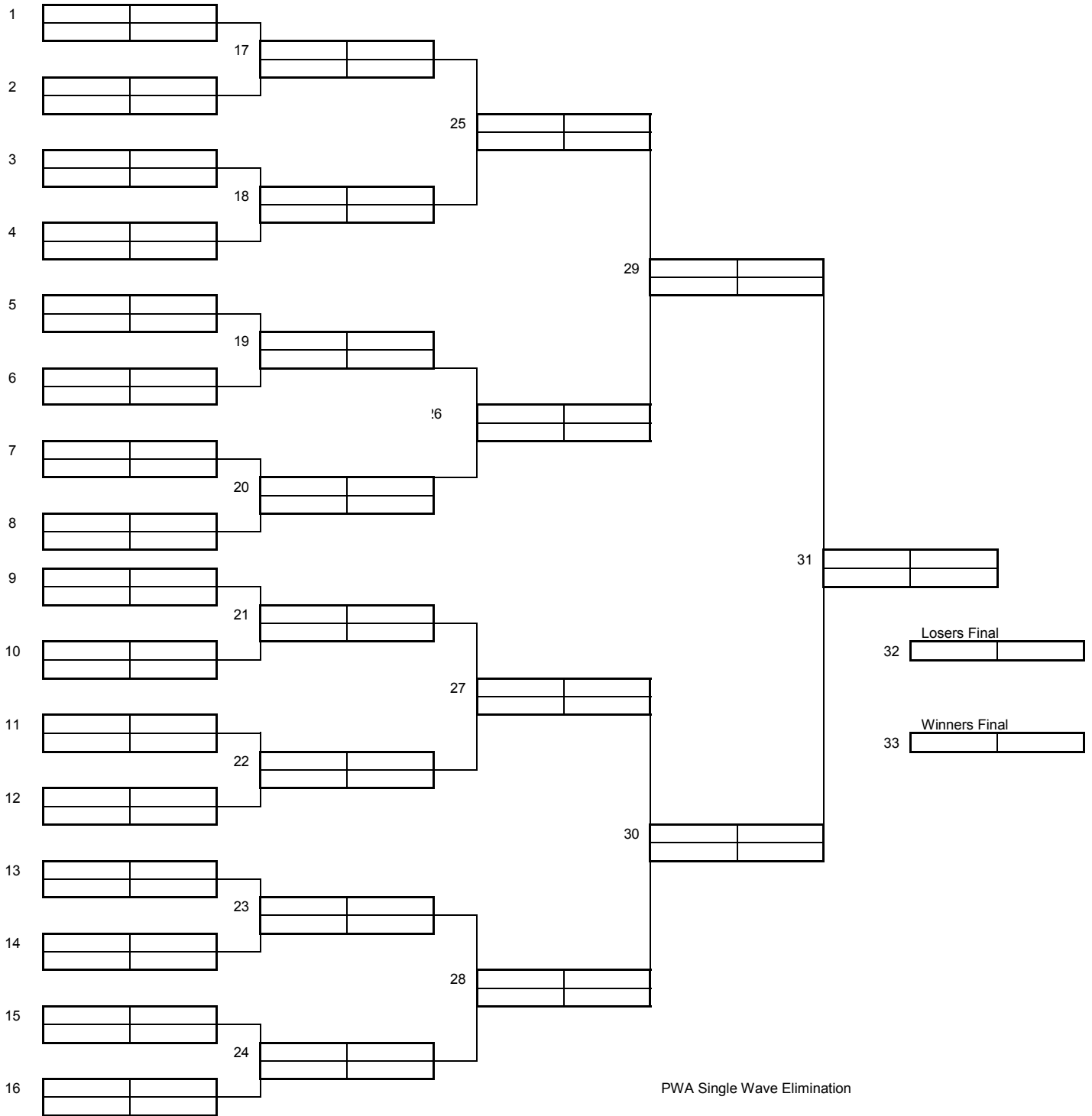
Heats may be run with either 2, 4 or 8 competitors in each heat or using the dingle elimination system at the discretion of the Head Wave Judge





2006 PWA Rule Book – Issue 1  
Part 3, Wave Performance Rules

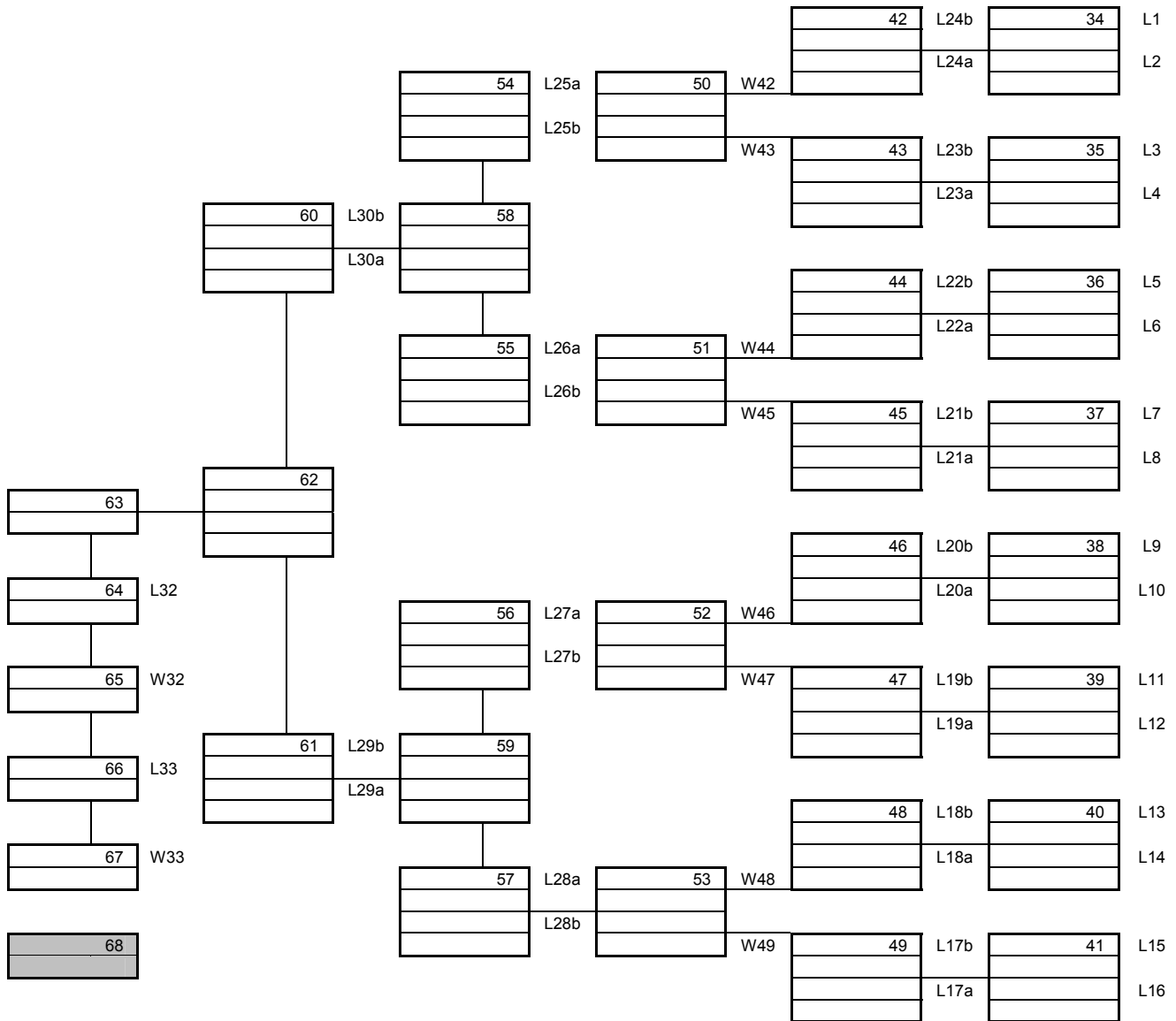
{3.5.4} PWA Wave single elimination





2006 PWA Rule Book – Issue 1  
Part 3, Wave Performance Rules

**{3.5.5} PWA Wave double elimination**



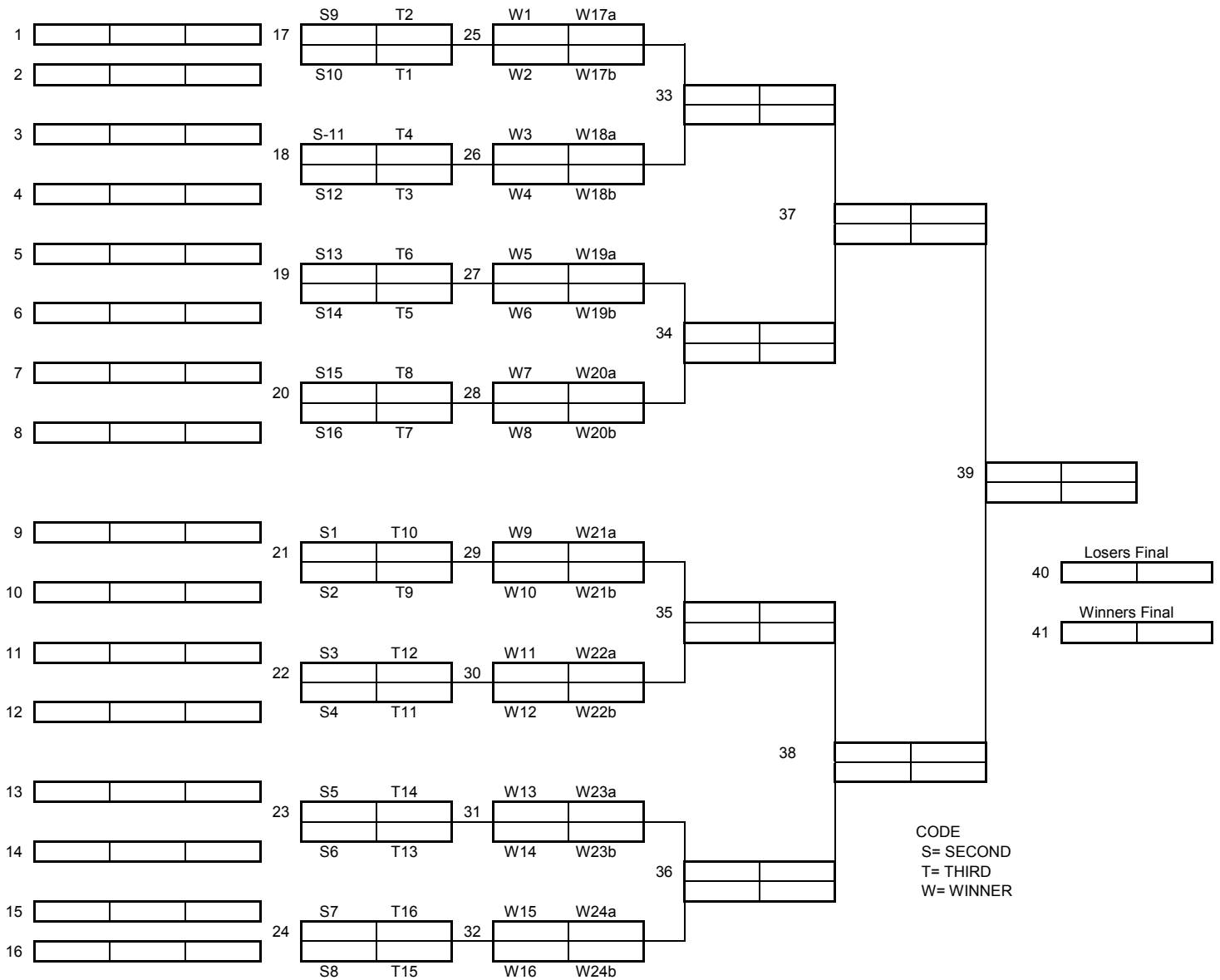
Losers from the single elimination are placed according to where they were knocked out i.e. the losers of heat 1 compete in heat 34a and the losers of heat 2 compete in 34b.





2006 PWA Rule Book – Issue 1  
Part 3, Wave Performance Rules

**{3.5.6} PWA Wave Dingle Elimination**



In a dingle elimination the winners of the first round heats advance immediately to the third round, whilst the second and third placed sailors are re-seeded into the second round.







2006 PWA Rule Book – Issue 1  
Part 3, Wave Performance Rules

**{3.5.7} Heat Schedule**

The schedule of heats shall be posted at the Official Notice Board. It shall be sole responsibility of each competitor to know in which heat he/she will be taking part.

**{3.5.8} 4 Man Heats**

In a 4 man heat the winners will advance with the first placed competitor in heat 1 advancing to the uppermost slot in the next round and the second placed sailor in heat 1 advancing to the lowermost slot in the next round.

In heat 2, the first placed competitor shall advance to the second lowest slot in the next round with the second placed competitor advancing to the second highest slot in the next round and so on.

**{3.5.9} 4 Man Heats Double Elimination**

In Double Elimination, where the Single elimination has been run with 4 man heats and the Double elimination will also be run with four man heats, the losers from round one shall be re seeded into the Double elimination as follows.

The third place sailor in heats 1 to 16 shall be seeded into the uppermost free slot in the first heat of the first round of the Double elimination, with the third place of heat 1 advancing to the uppermost free slot in heat 34a, third place of heat 2 advancing to the uppermost free slot in heat 34b and so on.

The fourth place sailor in heats 1 to 16 shall be seeded into the lowest free slot in the last heat of the first round of the Double elimination, with the fourth place of heat 1 advancing to the Lowest free slot in heat 41b, fourth place of heat 2 advancing to the lowest free slot in heat 41a and so on.

The seeding and distribution of competitors in Double Elimination formats where more than 2 competitors compete in a heat may be changed by the Race Director after consultation with the PWA Representative, if it is considered in the interests of fairness of competition.

**{3.6} SAILING THE COURSE**

**{3.6.1} Check in**

Each competitor shall check in sail colours and particulars of the sail to be used while competing at least two heats prior to his/her own heat, unless the Sailing Instructions prescribe another identification method.

**{3.6.2} Competition Area**

(a) The competition area shall be defined in the Sailing Instructions or in the way indicated in the Sailing Instructions or on the official notice board at least half an hour before the start of the first heat of the day. A diagram is recommended.

(b) A competitor shall be scored while being in the designated competition area. Whether a competitor is in or out of the competition area, will be at the discretion of the senior judge on the relevant panel and the Head Judge.

(c) A competitor shall not sail in the competition area while competition is going on, other than during his/her own heat. A competitor infringing this rule may be penalised as specified under Rule 20.2.





2006 PWA Rule Book – Issue 1  
Part 3, Wave Performance Rules

**{3.6.3} Identification of competitors**

(a) Competitors shall be required to carry sail numbers.

(b) Each competitor must mark his/her sails with his/her registered sail number. The number shall be at least 23 centimeters in height, displayed clearly above the wishbone, and above the area reserved for the event sponsor. The number shall be placed at different heights on both sides with the number on the starboard side being uppermost, except when the sail is of clear material, when the numbers may be placed on the starboard side only. Numbers must be clearly visible, in a solid contrasting color, and identifiable from both sides of the sail.

(c) All characters must be displayed horizontally and not in a column. A competitor may not be disqualified for infringing the provisions of this rule without prior warning and adequate opportunity to make correction. The number shall not exceed seven digits and shall include a national abbreviation. The national abbreviation must be that used by the sailor's National Windsurfing Association. Any exceptions to this rule must be approved by the PWA Management Board

(d) The Judges will identify competitors by a pennant or streamer attached to their sail with his or her sail number.

(e) The pennants/streamers will be provided by the Beach Marshal. Each competitor shall collect a streamer or pennant as soon as his or her heat is listed as "standby" on the heat schedule board, or at a time specified by the Race Committee.

(f) Each competitor shall attach a pennant or streamer at the correct position to their sail: the competitor listed at the top or first on the elimination ladder shall carry the pennant / streamer at the top of their sail. The competitor listed at the bottom or second position shall carry the pennant / streamer at the clew of the sail. Incorrectly placed marker/streamers may result in the sailor not being scored.

(g) Competitors shall return the pennants/streamer immediately upon the finish of their heat. Failure to do so may result in a fine of a minimum of US \$20.

**{3.6.4} Assistance**

Each competitor's efforts on the water shall be individual with only two possible means of assistance being permissible:

(a) When a competitor suffers an equipment breakage during a heat another windsurfer, known as a "caddy," may assist by supplying replacement equipment, and shall keep clear of all competitors except for the one being assisted. A caddy shall attempt to remove the equipment, which the competitor has abandoned from the competition area.

(b) A caddy may also assist with an equipment change during a heat of a competitor who's equipment is not damaged. The caddy shall not step into the water during this change. This change can only be done on dry land.

(c) No forms of communication shall be permitted between a competitor and any team member or representative during competition. For the purposes of this rule:

(d) items such as radio communication devices and other electronic forms of communication shall be prohibited along with any purpose built mechanical communication system.





2006 PWA Rule Book – Issue 1  
Part 3, Wave Performance Rules

(e) No hand signals shall be permitted from the beach by anyone trying to assist a competitor during a heat.

This will be considered outside assistance, which could lead to disqualification from that round or heat if, in the opinion of the judges, such assistance materially prejudiced the result.

**{3.7} SIGNALS FOR STARTING AND FINISHING A HEAT**

**{3.7.1} Official Flag Pole**

All signals shall be made from the place indicated in the Sailing Instructions or in the way indicated in the Sailing Instructions.

**{3.7.2} Starting Signals**

(a) The starting signals shall be:

Warning Signal	Red flag displayed
Preparatory Signal	Yellow flag displayed
Starting Signal	Green flag displayed

(b) Each visual signal may be accompanied by a sound signal, but times shall be taken from the visual signals and mistiming or failure of a sound signal shall be disregarded.

**{3.7.3} Heat Duration**

The heat duration shall be from 5 up to 30 minutes. The intervals between the starting signals shall be posted on the official notice board.

**{3.8} POSTPONING AND ABANDONING A HEAT**

**{3.8.1} The Race Committee may:**

(a) before the starting signal postpone a heat for any reason,

(b) after the starting signal abandon a heat because of insufficient wind, or for other reasons directly affecting the fairness of the competition. The time limit for such an abandonment shall be 5 minutes after the finish of the heat.

(c) postpone or abandon a heat at any time for safety reasons.

**{3.8.2} Postponement**

A postponement shall be signalled by the raising of the “Answering Pendant,” accompanied by two sound signals. After a postponement the ordinary starting signals shall be used according to Rule 51. The postponement signal shall be lowered, accompanied by a sound signal, one minute before the first warning signal is made.

**{3.8.3} Abandonment**

(a) The raising of code flag “N,” accompanied by three sound signals, shall signal that the present heat is abandoned.

(b) The raising of the “Answering Pendant” over code flag “A,” accompanied by two sound signals shall indicate: “No more competition today.”





2006 PWA Rule Book – Issue 1  
Part 3, Wave Performance Rules

**{3.9} RIGHT OF WAY RULES**

**{3.9.1} Boards on Opposite Tacks**

(a) In surf, a competitor who is coming in shall keep clear of a competitor who is going out.

(b) When two competitors are going out or coming in while not on the same wave, or when neither is going out or coming in the competitor on port tack shall keep clear from a competitor on starboard tack.

**{3.9.2} Boards on the Same Wave, Coming In**

When two or more competitors are on a wave coming in, a competitor who does not have possession shall keep clear. (See Rule 3.1.5)

**{3.9.3} Boards on the Same Tack and not on a wave**

(a) A competitor clear astern and not on a wave shall keep clear of a competitor clear ahead.

(b) An overtaking competitor who is not on a wave shall keep clear.

**{3.9.4} Boards in Transition**

(a) A competitor who is in transition shall keep clear of a competitor on a tack.

(a) When two competitors are in transition at the same time, the upwind competitor shall keep clear.

**{3.10} JUDGING**

**{3.10.1} Scoring / Judging Procedure**

(a) One or two panels of Judges, each panel comprising an odd number of Judges, no less than three in number, shall score each heat. The Wave Judges may be divided into two separate panels, one panel scoring waves and the other scoring jumps. The scores of the respective sailors will be tabulated together to get their results from that heat. Judges shall be separated by partitions. There shall be no communication between judges during a heat other than relevant guidance from the senior judge of the relevant panel or from the Head Judge

(b) Each Judge may award each competitor for each manoeuvre points on a scale from 1 to 12 in increments of 1/10th of a point, according to the spectacle, variety and quality of performance. Only the best scored manoeuvres in each category shall be taken into account to determine the winner. The total points in each category shall be multiplied by a certain factor. The resulting number shall be totalled to determine the winner: highest points wins.

(c) The number of manoeuvres and number of categories to be counted towards the result and the multiplication factor for each category shall be decided by the Head Wave Judge in consultation with the PWA Representative and then posted on the Official Notice Board before competition begins.

(d) When there is a tie in total points awarded by a Judge, the tie shall be broken in favour of the competitor who has the higher single score in the priority category i.e. wave riding or wave jumping. If these categories are weighted evenly, then the highest single score in wave riding shall be used. If the tie still remains, it shall be decided in favour of the competitor with the higher single score in the category which does not have priority





2006 PWA Rule Book – Issue 1  
Part 3, Wave Performance Rules

i.e. wave riding or jumping. If the tie still remains, it shall be broken in favour of the competitor who has the highest score for Overall Impression.

(e) In heats comprising of groups with top half advancing, each Judges' sheet will be totalled to award competitors with a position in that heat. These positions will be added together, discarding the highest and lowest positions when there are 5 or more Judges. The competitor with the lowest total score will be the winner. When there is a tie in total score the tie will be broken in favour of the competitor who has beaten the other more times (discard positions will be included). If there is a 3-way tie that cannot be broken using the above rule, then the Overall Impression scores for each respective sailor, from each respective judge shall be added together and the competitor with the highest combined Overall Impression score shall be declared the winner.

(f) If Heat 31 is sailed as a 4 man heat, the result will stand as the final result unless heat 32 and 33 are sailed.

(g) The competitor who is nominated as winner by a majority of the Judges shall be declared the winner. If there is a tie, after all tie break rules have been applied, the heat shall be re-sailed. If this is not possible it shall stand as the final result.

(h) The score sheets of the Judges shall be shown only to competitors, on their request. Score sheets may be copied by a competitor only after consultation and approval from the PWA rep.

(i) The scoring and the decisions of the Judges may not be appealed.

(j) All judging score sheets for each heat shall bear the full names or identifiable abbreviations of the Judges judging the heat.

### **{3.10.2} Wave Judging Guidelines**

### **{3.11} PROTESTS, PENALTIES AND REDRESS**

#### **{3.11.1} Protests**

(a) When a competitor thinks that he/she has been fouled while competing, he/she may file a protest/request for redress by making an oral declaration to the Race Director or Head Judge immediately following the heat in which the incident occurred.

The declaration shall include:

- i. the word "protest,"
- ii. the protester's sail number, and
- iii. the sail number(s) of the competitor(s) being protested, or other particulars to identify the protestee(s).

(b) The Race Committee may protest a competitor under any of the rules at any time.

A hearing to decide the protest shall be convened immediately. At the hearing each competitor shall have the opportunity to make two short statements, with the protester taking the first and third opportunities to speak. The Judges may hear witnesses if they wish.

(d) The judges shall deliberate in private and quickly announce their decision to the parties concerned and the official scorer. A majority vote shall decide the protest. If there





2006 PWA Rule Book – Issue 1  
Part 3, Wave Performance Rules

is a tie vote, the vote of the Head Judge is decisive. The decision may not be appealed. Any competitor questioning the decision in a non-sportsmanlike manner shall be fined.

(e) For each protest that is heard the Head Judge shall, before the competitors' meeting the following day or, if it is the last day, as soon as possible, post on the Official Notice Board a statement which includes:

- i. The sail numbers of those involved in the protest
- ii. The facts found in the protest
- iii. Rule(s) judged applicable
- iv. The decision and grounds on which it is based

**{3.11.2} Penalties**

(a) A Competitor may be disqualified by the Judges even without a hearing for fouling another competitor whilst competing.

(b) A competitor may be disqualified from a heat, from the Wave Performance discipline or from the regatta for infringing the Sailing Instructions or the PWA Rulebook.

(c) Any competitor, including one with right of way, who fails to make a reasonable attempt to avoid a collision which results in personal injury or serious damage to equipment may be disqualified and/or otherwise penalized.

**{3.11.3} Redress**

(a) A competitor who alleges that his/her score has been materially prejudiced through no fault of his/her own by:

- i. An action or omission of the Race Committee, or
- ii. Rendering assistance in accordance with fundamental Rule 3 (Rendering Assistance), or
- iii. Being infringed by another competitor who was required to keep clear or
- iv. being infringed by another competitor who was required to keep clear, or a competitor against whom a penalty has been imposed under Rule 1.12.14 (Unsportsmanlike Contact), may request redress from the Judges in accordance with Rule 3.11

(b) If the Judges decide that the score has been materially prejudiced in any of the circumstances set out above, they shall make as equitable an arrangement as possible for all competitors concerned. The Judges may take action by themselves, without a hearing. This may be to let the results of the heat stand, to adjust the score of the prejudiced competitor, to abandon and re-sail the heat, to have a sail-off between certain competitors in the heat, to cancel the heat, to add some more time to the original heat or to adopt some other means. The head judge may overrule the judges decision if there is proof that a sailor lost his heat because of a judges mistake. He may only re sail the heat, but not adjust the result.

**{3.12} Discipline Scoring**

**{3.12.1} Maximum Number of rounds**

There shall be no more than 1 single / dingle / double eliminations of Wave Performance at PWA Wave Events.





2006 PWA Rule Book – Issue 1  
Part 3, Wave Performance Rules

**{3.12.2} Validity of Scoring**

The minimum number of elimination series to constitute valid discipline scoring at an event and to distribute the prize money is one wave single elimination where the fleet has been eliminated to the top 16 for men or top 4 for the women's division.

For the internal scoring at an event points are awarded as set out in the tables below.

**{3.12.3} Finishing positions in Single Elimination shall be scored as follows:**

Finishing Position	Points
Heat 33 - 1 <sup>st</sup> , 2 <sup>nd</sup>	0.7, 2
Heat 32 - 1 <sup>st</sup> , 2 <sup>nd</sup>	3, 4
Heats 29 - 30	6.5
Heats 25 - 28	12.5
Heats 17 - 24	24.5
Heats 1 - 16	48.5

**{3.12.4} Finishing positions in Double Elimination shall be scored as follows:**

Finishing Position	Points
Heat 67 (or 68) 1 <sup>st</sup> , 2 <sup>nd</sup>	0.7, 2
Heat 66	3
Heat 65	4
Heat 64	5
Heat 63	6
Heat 62	7.5
Heats 60 - 61	10.5
Heats 58 - 59	14.5
Heats 54 - 57	20.5
Heats 50 - 53	28.5
Heats 42 - 49	40.5
Heats 34 - 41	56.5

**{3.12.5} Finishing positions in Single Elimination with 4 man heats shall be scored as follows:**

Finishing Position	Points
Heat 33 - 1 <sup>st</sup> , 2 <sup>nd</sup>	0.7, 2
Heat 32 - 1 <sup>st</sup> , 2 <sup>nd</sup>	3, 4
Heat 31 (if 32 and 33 not sailed)	0.7, 2, 3, 4
Heats 29 – 30, 3 <sup>rd</sup> , 4 <sup>th</sup>	5.5, 7.5
Heats 25 – 28, 3 <sup>rd</sup> , 4 <sup>th</sup>	10.5, 14.5
Heats 17 – 24, 3 <sup>rd</sup> , 4 <sup>th</sup>	20.5, 28.5
Heats 1 – 16, 3 <sup>rd</sup> , 4 <sup>th</sup>	40.5, 56.5





2006 PWA Rule Book – Issue 1  
Part 3, Wave Performance Rules

**{3.12.6} Finishing positions in Double Elimination with 4 man heats shall be scored as follows:**

Finishing Position	Points
Heat 67 (or 68) 1 <sup>st</sup> , 2 <sup>nd</sup>	0.7, 2
Heat 66	3
Heat 65	4
Heat 64	5
Heat 63	6
Heat 62, 3 <sup>rd</sup> , 4 <sup>th</sup>	7, 8
Heats 60 – 61, 3 <sup>rd</sup> , 4 <sup>th</sup>	9.5, 11.5
Heats 58 – 59, 3 <sup>rd</sup> , 4 <sup>th</sup>	13.5, 15.5
Heats 54 – 57, 3 <sup>rd</sup> , 4 <sup>th</sup>	18.5, 22.5
Heats 50 – 53, 3 <sup>rd</sup> , 4 <sup>th</sup>	26.5, 30.5
Heats 42 – 49, 3 <sup>rd</sup> , 4 <sup>th</sup>	36.5, 44.5
Heats 34 – 41, 3 <sup>rd</sup> , 4 <sup>th</sup>	52.5, 60.5

**{3.12.7} Scoring of Incomplete Heats**

Where the minimum number of heats for a valid wave performance elimination series has been completed but not all places determined, competitors qualified for heats which have not been run shall be awarded points as follows:

Finishing Position	Points
Heat 33	1.3
Heat 32	3.5
Heat 31	2.4
Heats 29 - 30	4.4
Heats 25 - 28	8

**{3.12.8} Double Elimination**

In Double Elimination, final positions are those achieved in the actual heats on the Double Elimination flowchart. If a Double Elimination is scheduled but only the winner side is held, this shall be the valid result of the competition. If the losers side of the double elimination is only partly completed, the finer grid results of each completed column (or round) of the loser side shall count, in combination with the remainder of the winners' side.

